

STEP 1

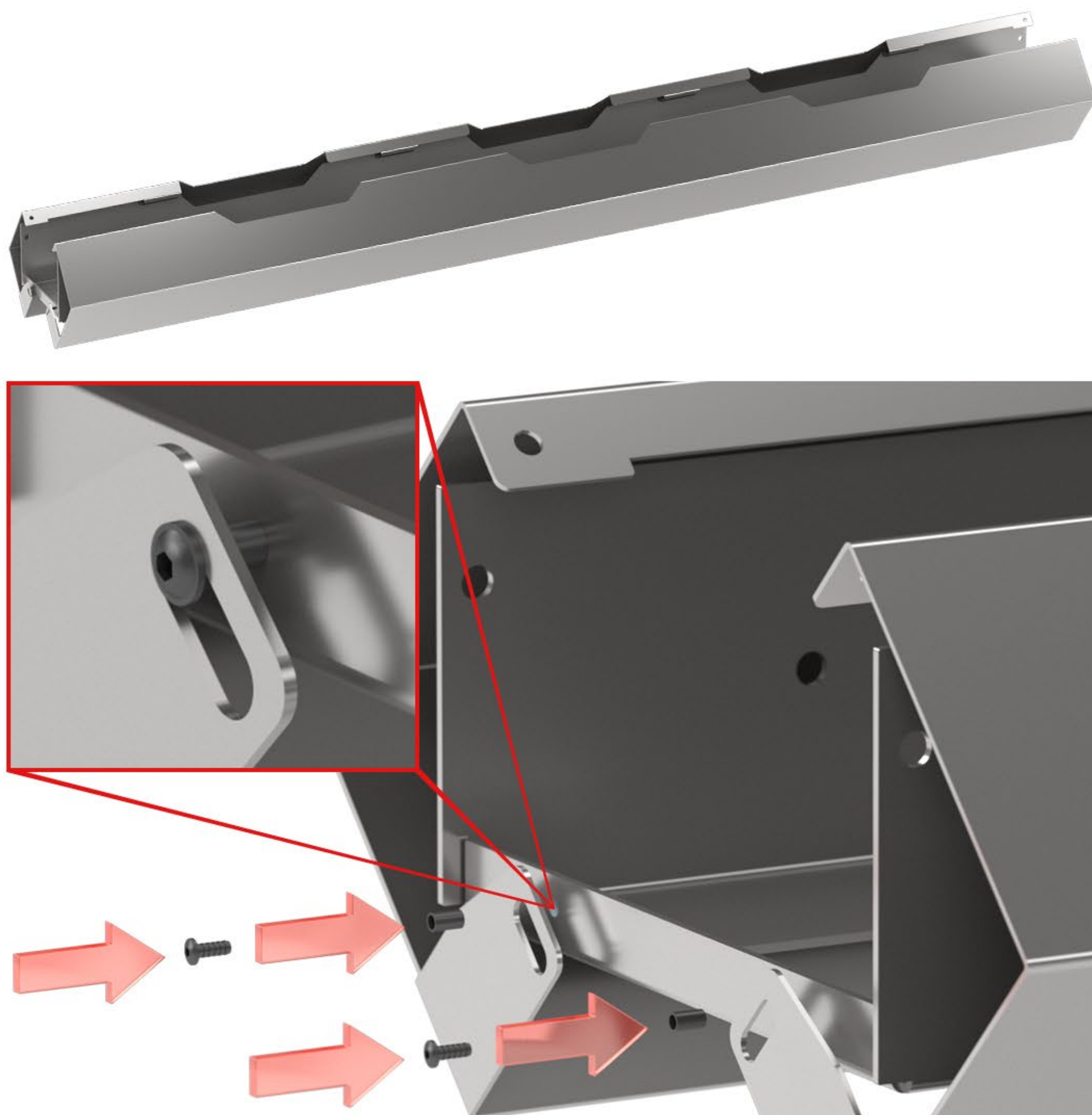
Make sure that the following hardware and/or components are present before beginning assembly.

- SWM Legs (2x)
- Wire Tray
- Wire Covers (2x)
- M6X1.0 8mm Bolt (x8)
- Slotted Spacer (x4)
- #8 Sheet Metal Screw (x4)
- Glides (x4)



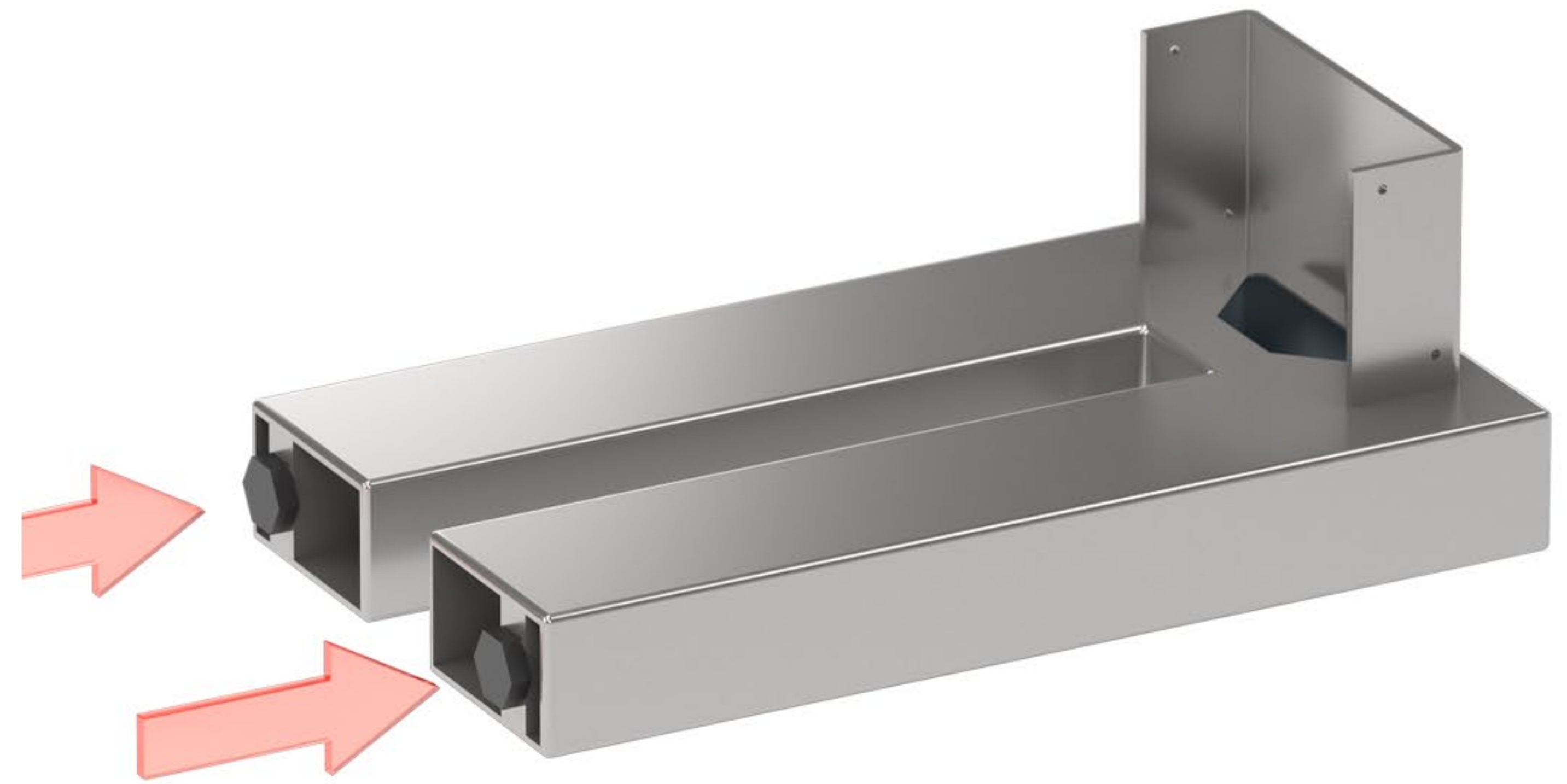
STEP 2

Attach Wire Covers to Wire Tray. Slide the slotted spacers over the #8 Self Tapping Screw. Screw that through the hole in the Wire Covers, and into the cable tray flange. Repeat for all 4 corners.



STEP 3

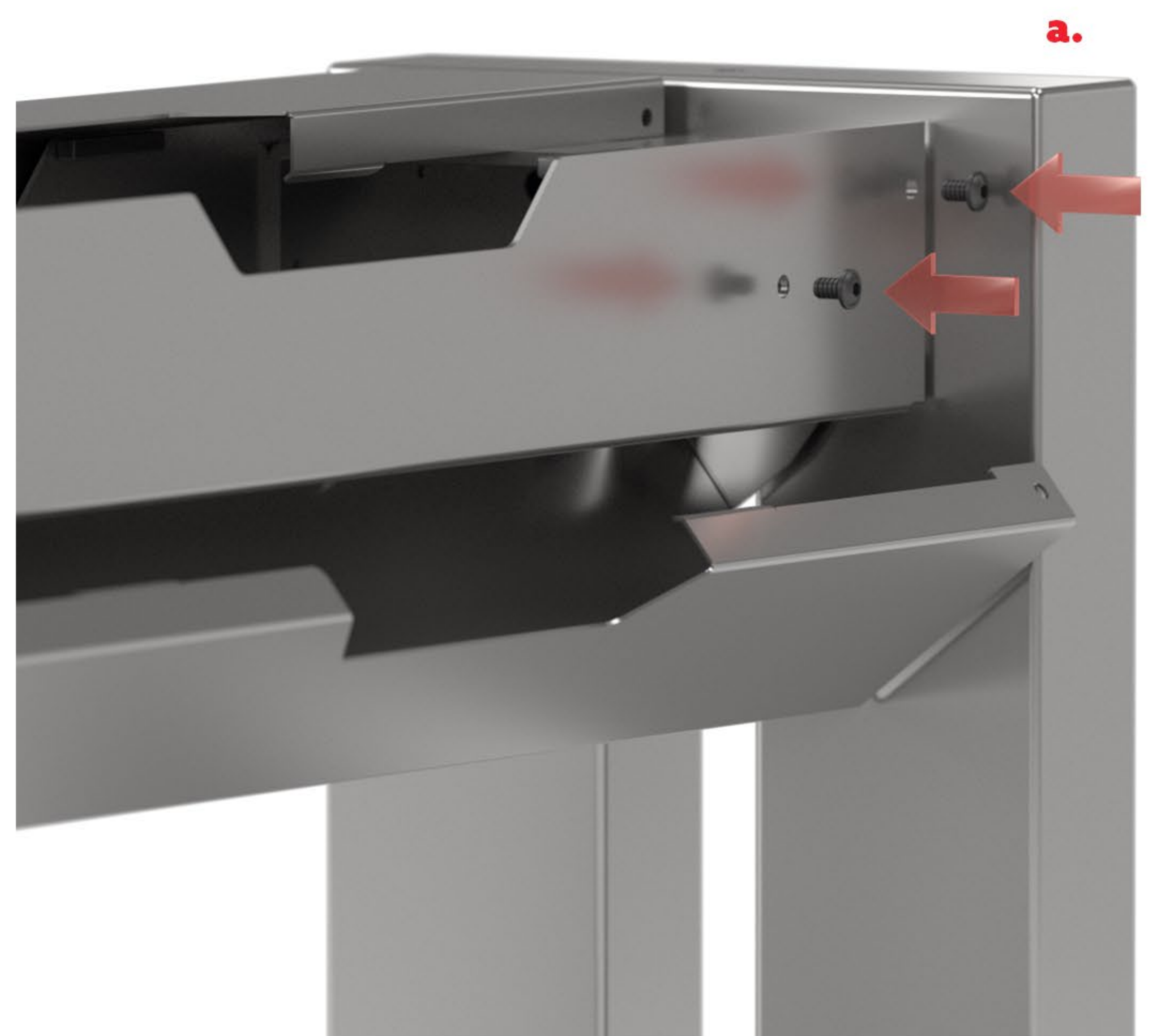
Screw glides into the threaded inserts at the bottom of each SWM leg.



STEP 4

Bolt the Legs to the cable tray.

- Using the M6 bolt, attach the tray to the leg by screwing through the hole in the tray, and into the threaded hole in the leg.
- Do not tighten the screws until all screws are threaded into the proper holes.



STEP 5

Power the unit by attaching the proper power units and cables to each other. Push the cables through the desired cable management holes.



STEP 7

Make sure all screws are tightened, and all power is properly connected.



STEP 6

If necessary, use the metal jumpers to power one unit, to the next.



STEP 8

If you have any questions, please contact MiEN Environments at **616-818-1970**