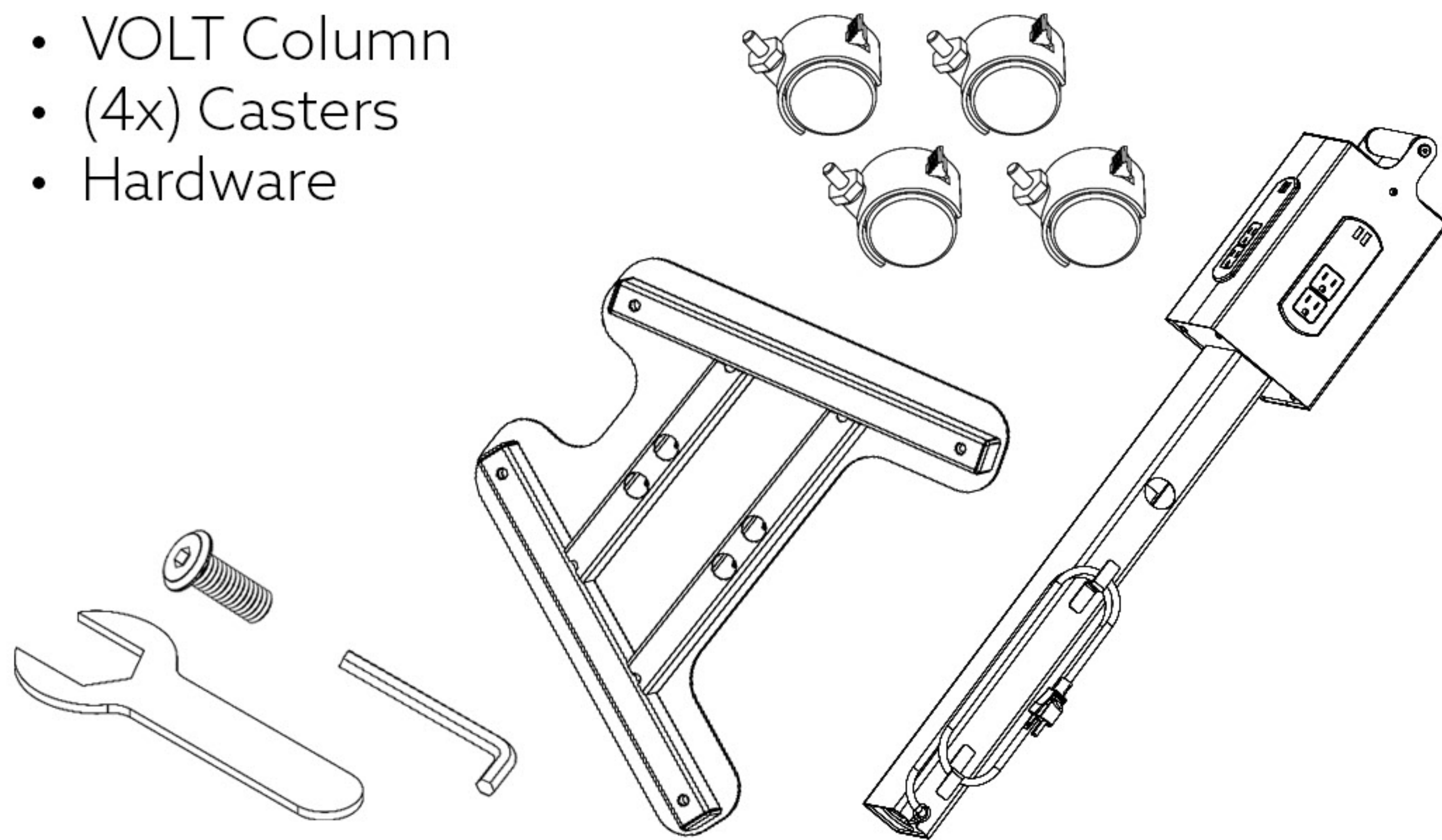


STEP 1

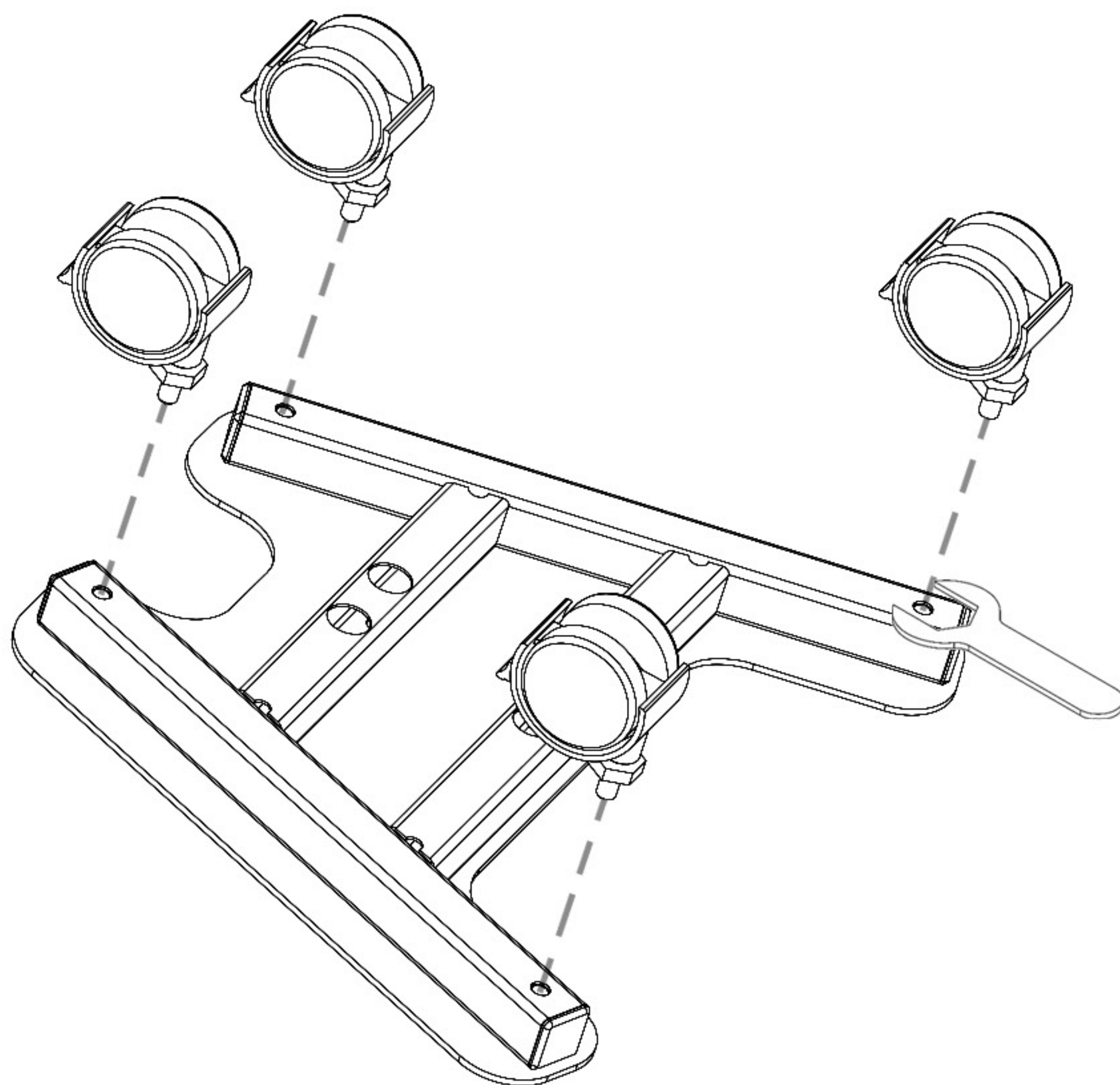
Make sure that the following hardware and/or components are present before beginning assembly.

- VOLT Base
- VOLT Column
- (4x) Casters
- Hardware



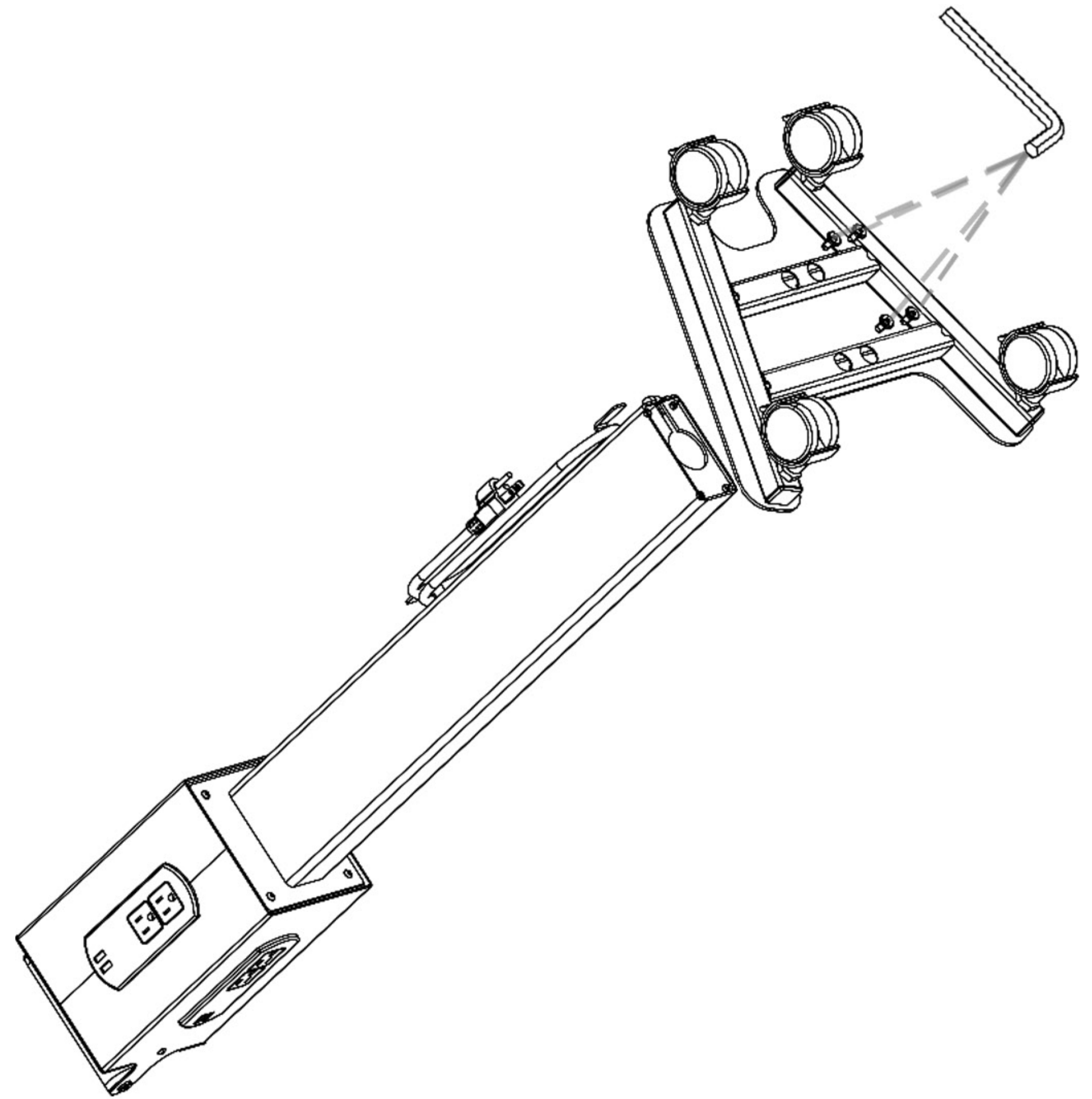
STEP 2

Set casters into pilot holes on VOLT base and tighten.



STEP 3

Secure the base to the column using the 4 locking screws.



STEP 4

If you have any questions, please contact MiEN Environments at **616-818-1970**