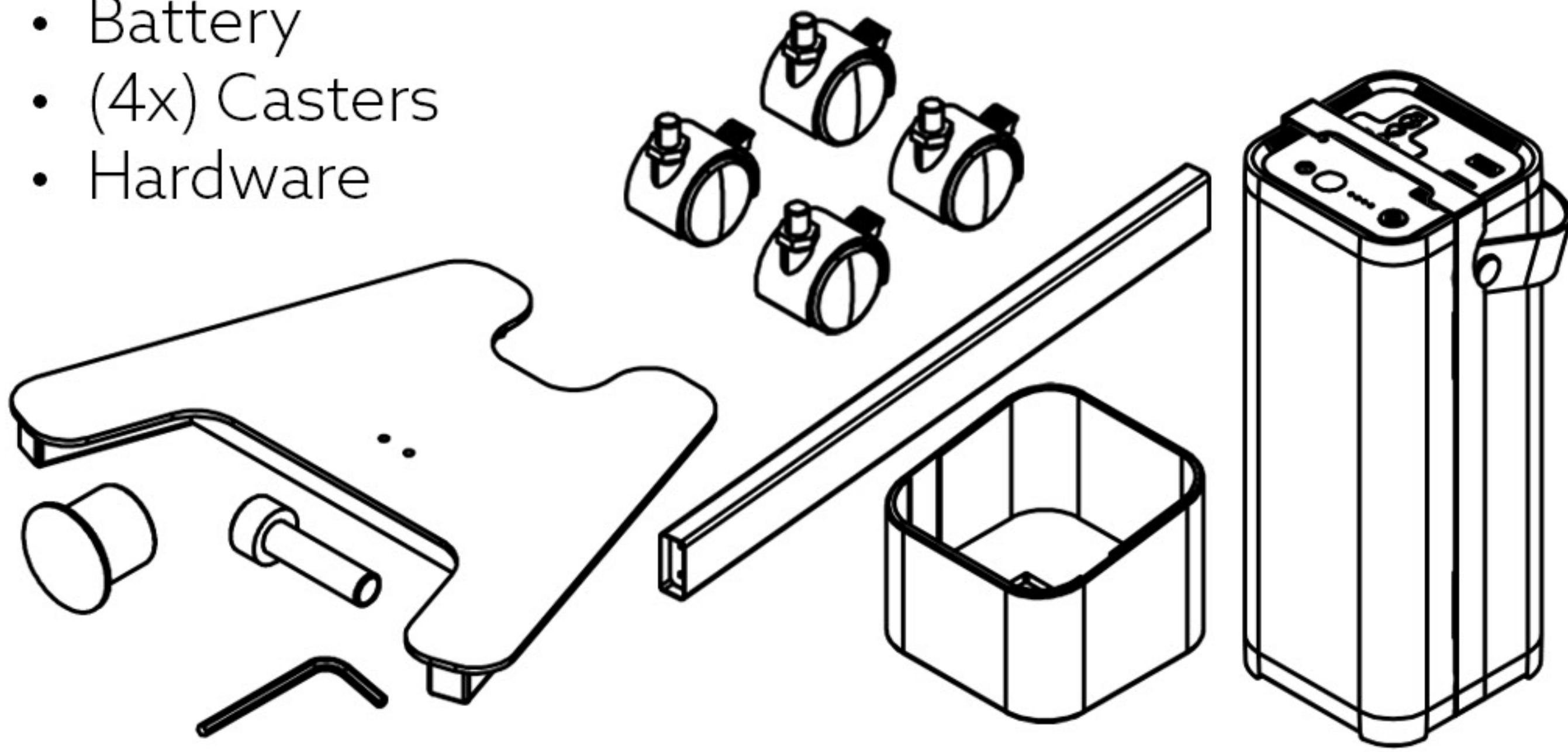


### STEP 1

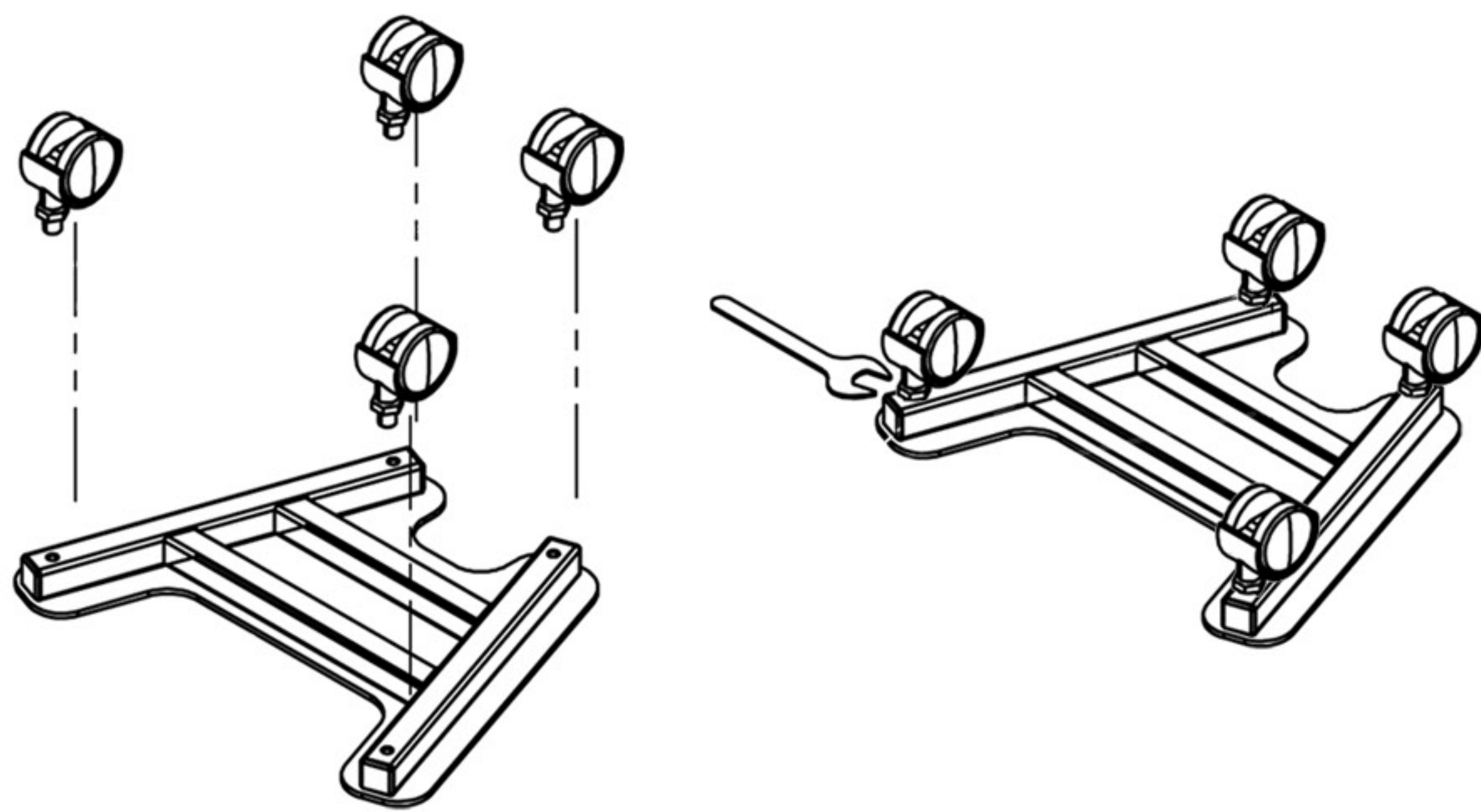
Make sure that the following hardware and/or components are present before beginning assembly.

- VOLT Base
- VOLT Column
- Battery Housing
- Battery
- (4x) Casters
- Hardware



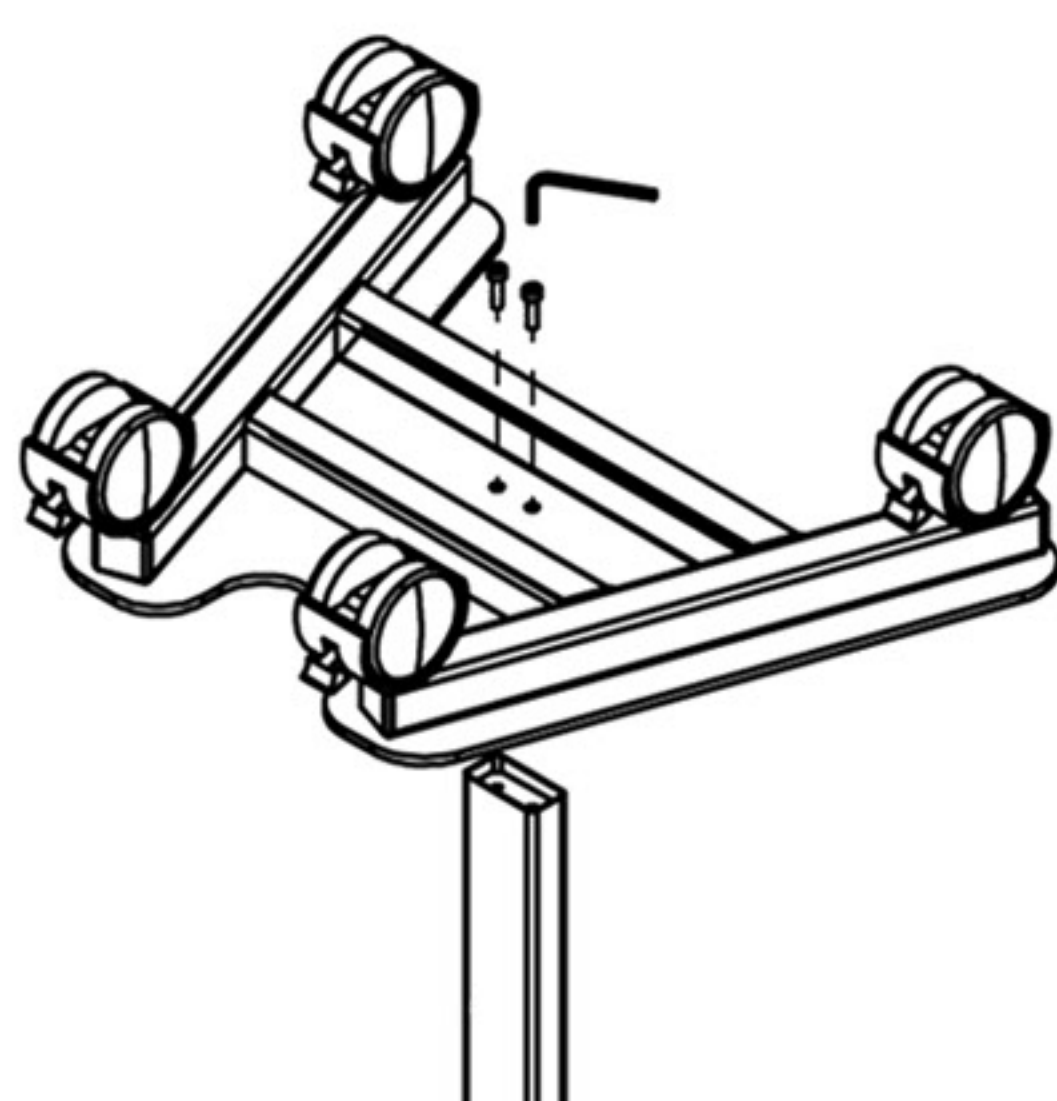
### STEP 2

Set casters into pilot holes on VOLT base and tighten.



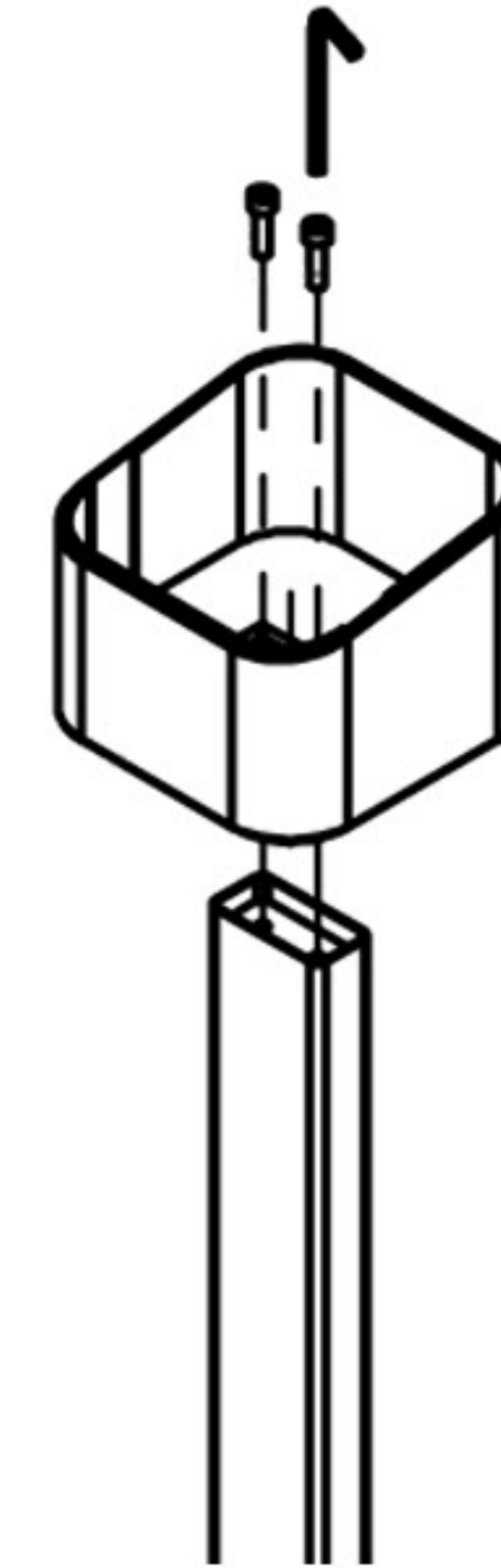
### STEP 3

Secure the column to the base with locking screws.



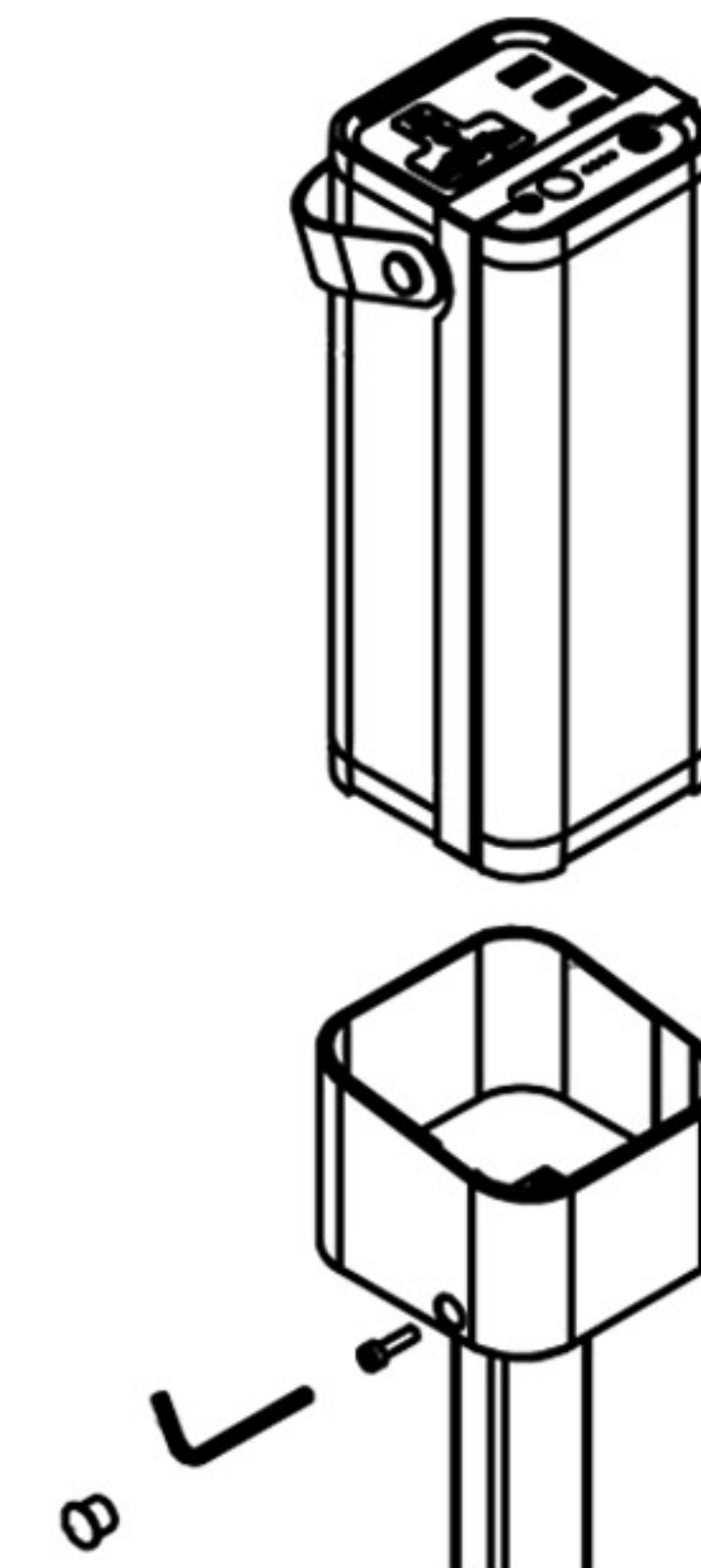
### STEP 4

Secure the battery housing to the column with locking screws.



### STEP 5

Place the battery with the metal belt around it into the base housing. Tighten the locking screw through the belt and into the base. Place the plastic cap over the hole that houses the screw.



### STEP 6

If you have any questions, please contact MiEN Environments at **616-818-1970**